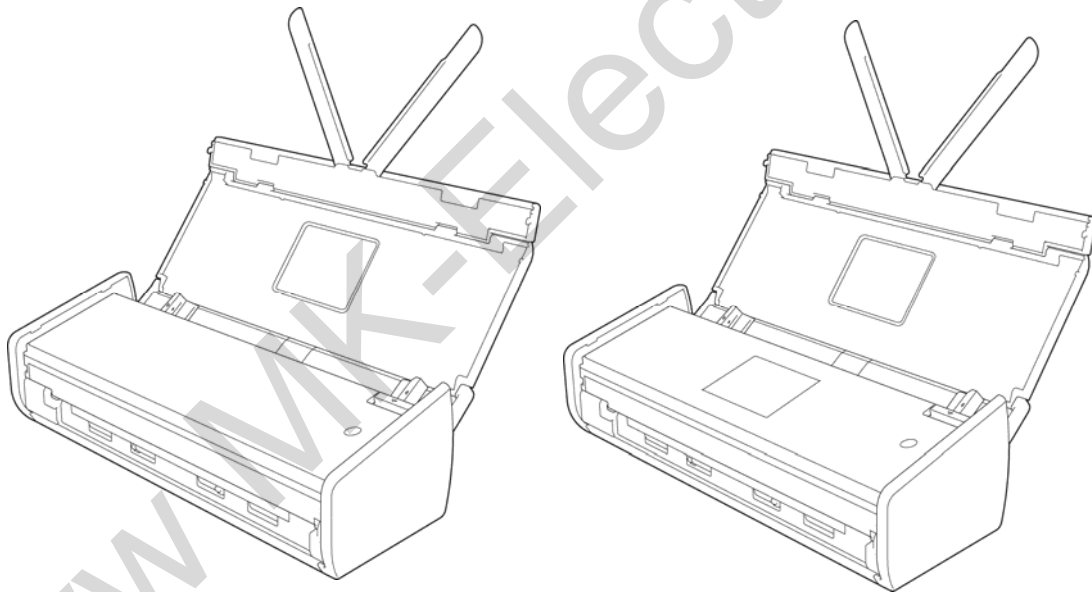




Advanced Document Scanner **PARTS REFERENCE LIST**

**MODEL:
ADS-1000W/1100W
1500W/1600W**



Read this list thoroughly before maintenance work.

Keep this list in a convenient place for quick and easy reference at all times.

August 2013
PL-PT070/PT072
8WD401/402
Ver.12

NOTE FOR USING THIS PARTS REFERENCE LIST

1. In the case of ordering parts, it is necessary to mention the following items:

- (1) Code
- (2) Q'ty
- (3) Description <Example>

REFNo.	(1) CODE	(2) Q'TY	(3) DESCRIPTION	MODEL	SPEC	REMARKS

2. Design-changed parts:

If any of the parts code is changed in this Parts List, one of the following symbols is indicated in the REMARKS column.

CHG (chg): The parts code is changed to a new one in this Parts List.

ADD (add): The parts code is newly added in this Parts List.

DEL (del): The parts code is deleted in this Parts List.

Symbol in capital letters indicates the latest parts change information in the page.

3. Parts change will be informed by the Parts change information.

4. Parts are subject to change in design without prior notice.

COUNTRIES & AREA

US: U.S.A.

CAN: Canada

GER: Germany

UK: U.K.

CHN: China

TWN: Taiwan

ARG: Argentina

ASA: Asia

GUL: Gulf

BRZ: Brazil

KOR: Korea

IND: India

RUS: Russia

OCE: Oceania

(Australia/New Zealand)

PND: PAN-NOR

(Norway/Finland/Denmark/Sweden)

CEE: CEE-GENERAL

(Bulgaria/Czech/Hungary/Poland

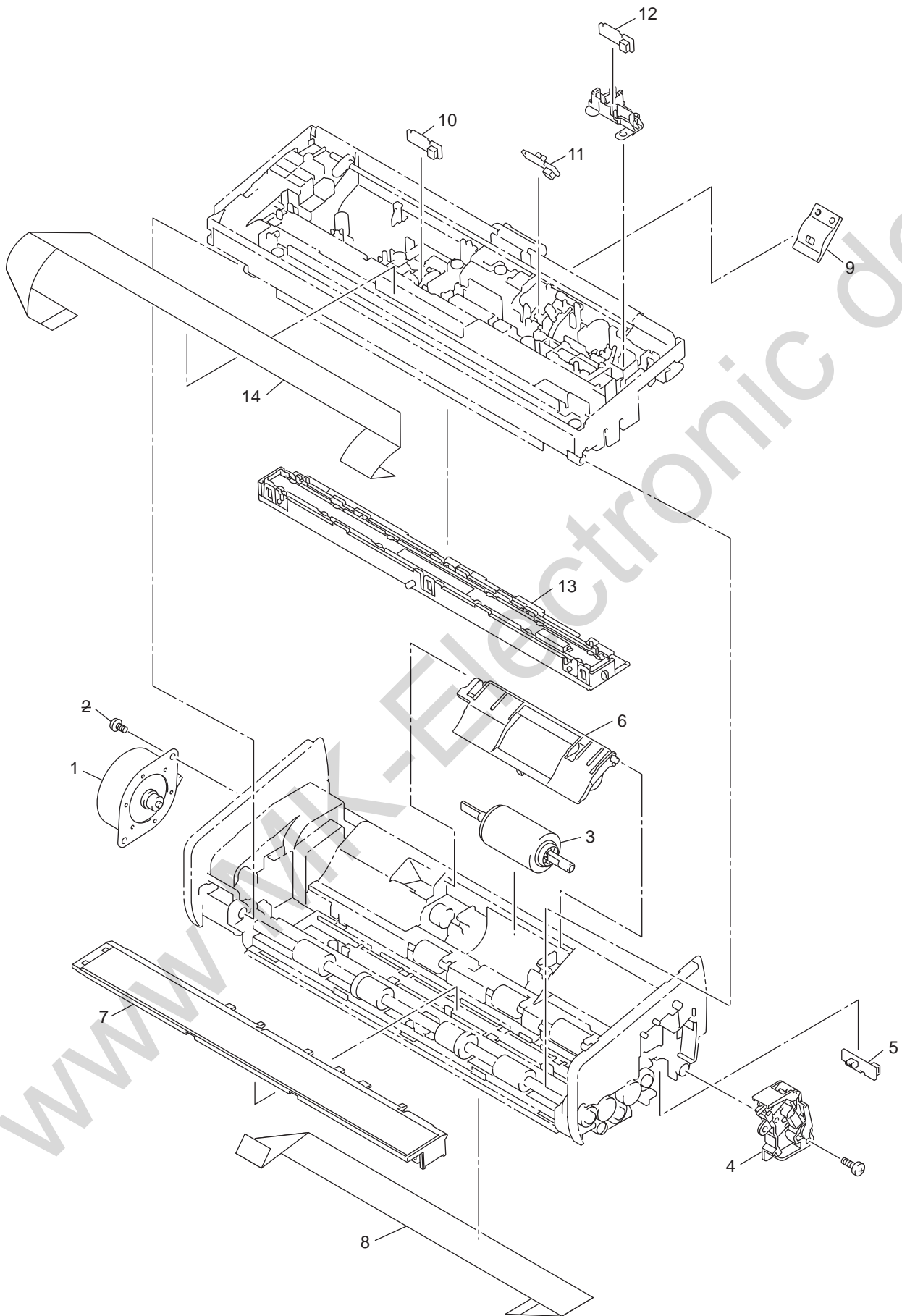
Romania/Slovakia)

CONTENTS

1.	<u>SCANNER</u>	1
2.	<u>PAPER TRAY</u>	3
3.	<u>COVER</u>	5
4.	<u>PANEL</u>	7
5.	<u>PCB</u>	9
6.	<u>ACCESSORIES</u>	11
7.	<u>PRINTING MATTER</u>	13
8.	<u>PACKING</u>	15
9.	<u>OTHERS</u>	17

www MK-Electronic.de

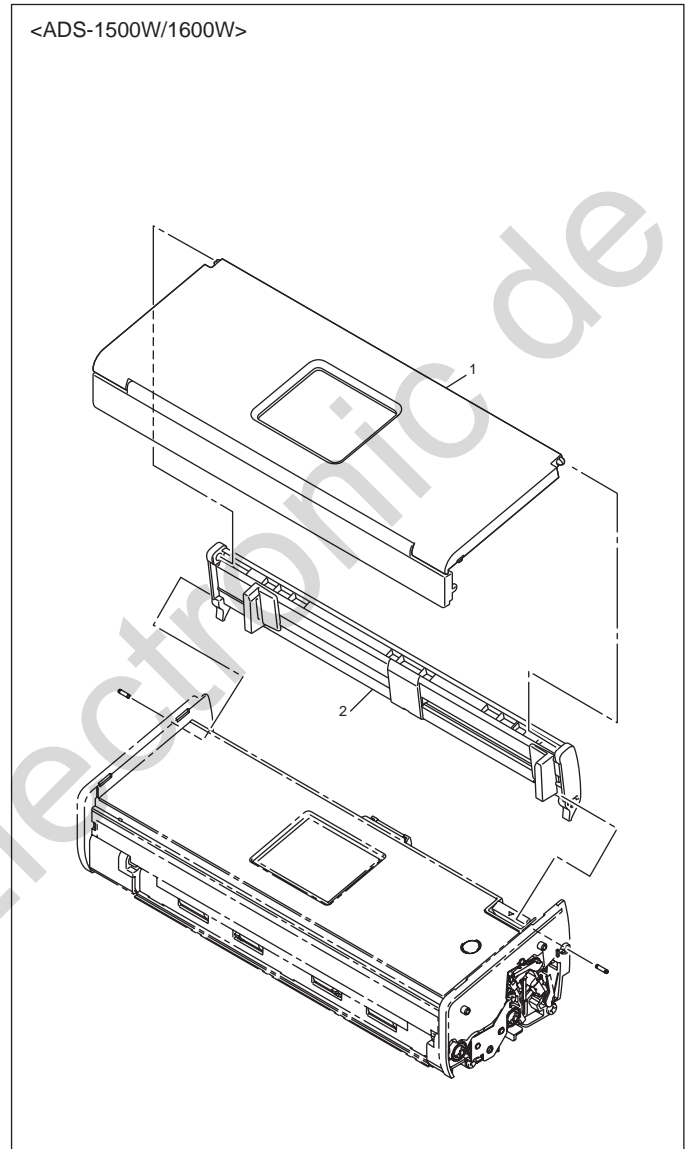
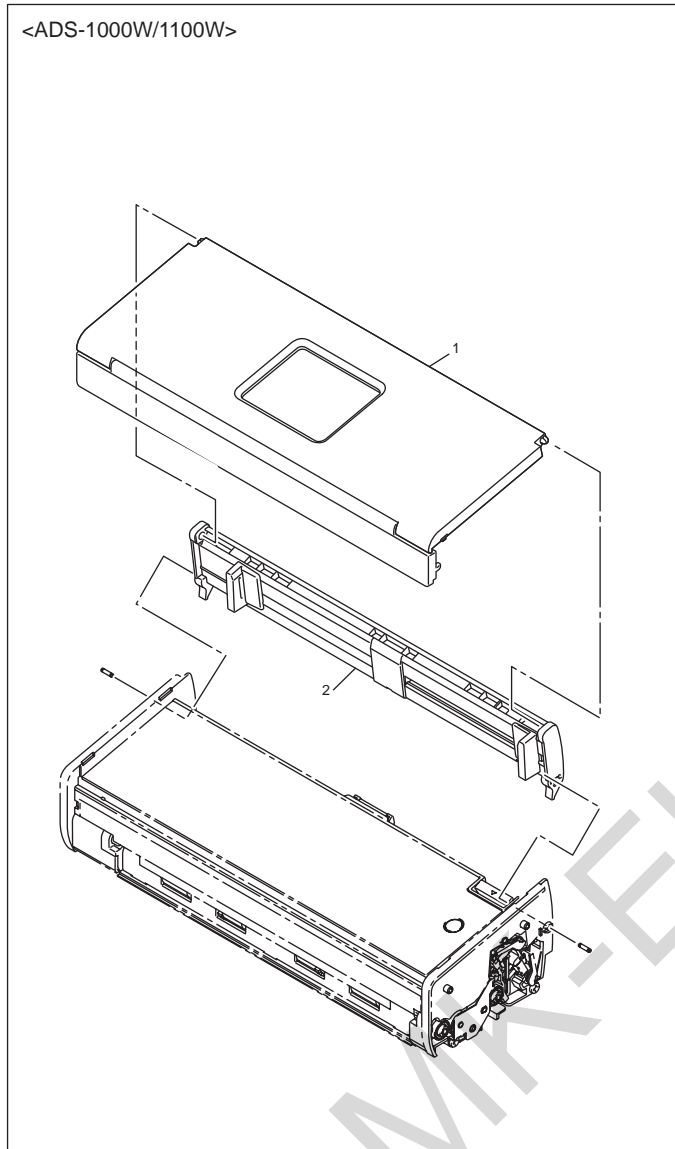
1. SCANNER



1. SCANNER

REF No.	CODE	Q'TY	DESCRIPTION	MODEL	SPEC	REMARKS
1	LD6712001	1	MAIN MOTOR			
2	0A4300606	1	SCREW PAN (S/P WASHER) M3X6			DEL
3	LD6999001	1	PICK-UP ROLLER ASSY			
4	LD0500001	1	COVER SWITCH ASSY			
5	LD6685001	1	CARD DETECTION SENSOR PCB ASSY			
6	LD0501001	1	PICK-UP ROLLER COVER ASSY			
7	LD1074001	1	FIRST SIDE CIS UNIT			chg
8	LD6690001	1	FIRST SIDE CIS FLAT CABLE			
9	LD0633001	1	SEPARATION PAD ASSY			
10	LD6685001	1	DOCUMENT SCANNING POSITION SENSOR PCB ASSY			
11	LD6685001	1	DOCUMENT DETECTION SENSOR PCB ASSY			
12	LD6685001	1	CARD SCANNING POSITION SENSOR PCB ASSY			
13	LD1075001	1	SECOND SIDE CIS UNIT			chg
14	LD6689001	1	SECOND SIDE CIS FLAT CABLE			

2.PAPER TRAY

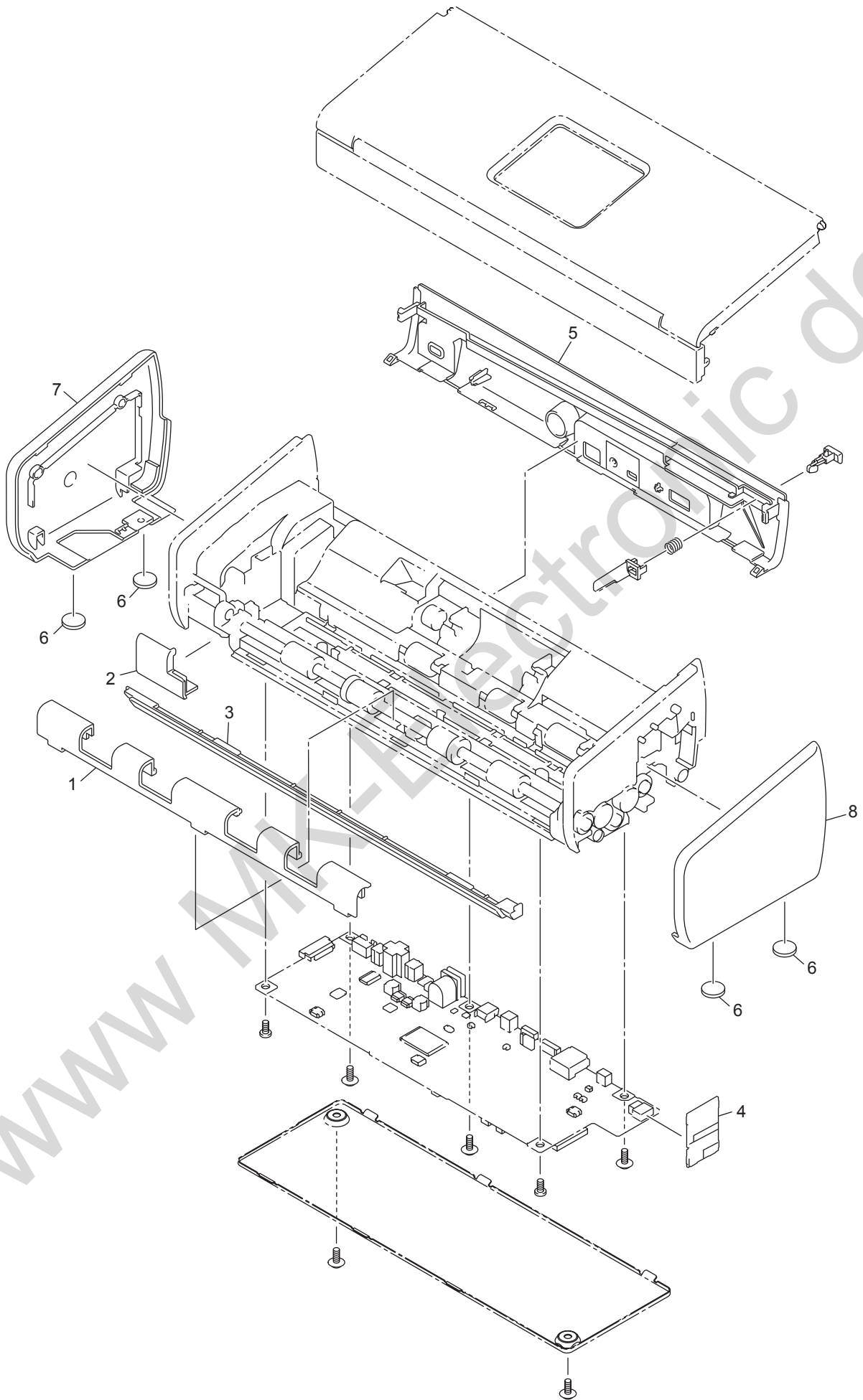


2. PAPER TRAY

REF NO.	CODE	Q'TY	DESCRIPTION	MODEL	SPEC	REMARKS
1	LD6993001	1	TOP COVER ASSY	ADS-1000W	FOR US/CAN/ARG/BRZ	
1	LD0584001	1	TOP COVER ASSY	ADS-1100W	FOR GER/UK/CHN/TWN/ASA/GUL/ KOR/IND/RUS/OCE/PND/CEE	
1	LD6990001	1	TOP COVER ASSY	ADS-1500W	FOR US/CAN/ARG/BRZ	
1	LD0592001	1	TOP COVER ASSY	ADS-1600W	FOR GER/UK/CHN/TWN/ASA/GUL/ KOR/IND/RUS/OCE/PND/CEE	
2	LD6992001	1	GUIDE TRAY ASSY	ADS-1000W		
2	LD6992001	1	GUIDE TRAY ASSY	ADS-1100W		
2	LD6992002	1	GUIDE TRAY ASSY	ADS-1500W		
2	LD6992002	1	GUIDE TRAY ASSY	ADS-1600W		

www MK-Electronic de

3.COVER



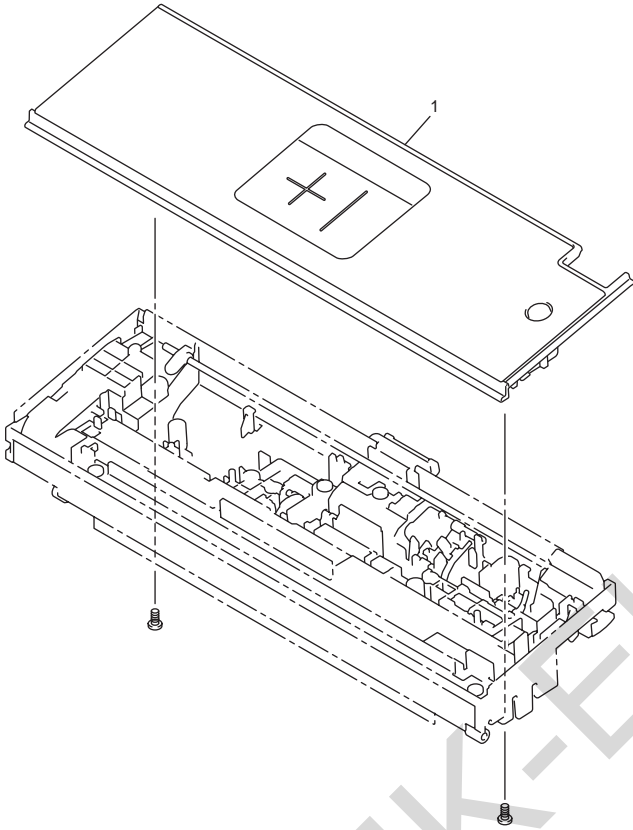
3. COVER

REF NO.	CODE	Q'TY	DESCRIPTION	MODEL	SPEC	REMARKS
1	LD6795001	1	EJECTION ROLLER COVER			
2	LD6945001	1	FRONT COVER L			
3	LD6799001	1	FRONT UNDER COVER	ADS-1000W		
3	LD6799001	1	FRONT UNDER COVER	ADS-1100W		
3	LD6799002	1	FRONT UNDER COVER	ADS-1500W		
3	LD6799002	1	FRONT UNDER COVER	ADS-1600W		
4	LT3808001	1	WIRELESS LAN PCB ASSY			CHG
5	LD0597001	1	BACK COVER	ADS-1000W		
5	LD0597001	1	BACK COVER	ADS-1100W		
5	LD6801002	1	BACK COVER	ADS-1500W		
5	LD6801002	1	BACK COVER	ADS-1600W		
6	LD6802001	4	BOTTOM RUBBER			
7	LD0887001	1	SIDE COVER L ASSY	ADS-1000W		
7	LD0887001	1	SIDE COVER L ASSY	ADS-1100W		
7	LD0887002	1	SIDE COVER L ASSY	ADS-1500W		
7	LD0887002	1	SIDE COVER L ASSY	ADS-1600W		
8	LD0888001	1	SIDE COVER R ASSY	ADS-1000W		
8	LD0888001	1	SIDE COVER R ASSY	ADS-1100W		
8	LD0888002	1	SIDE COVER R ASSY	ADS-1500W		
8	LD0888002	1	SIDE COVER R ASSY	ADS-1600W		

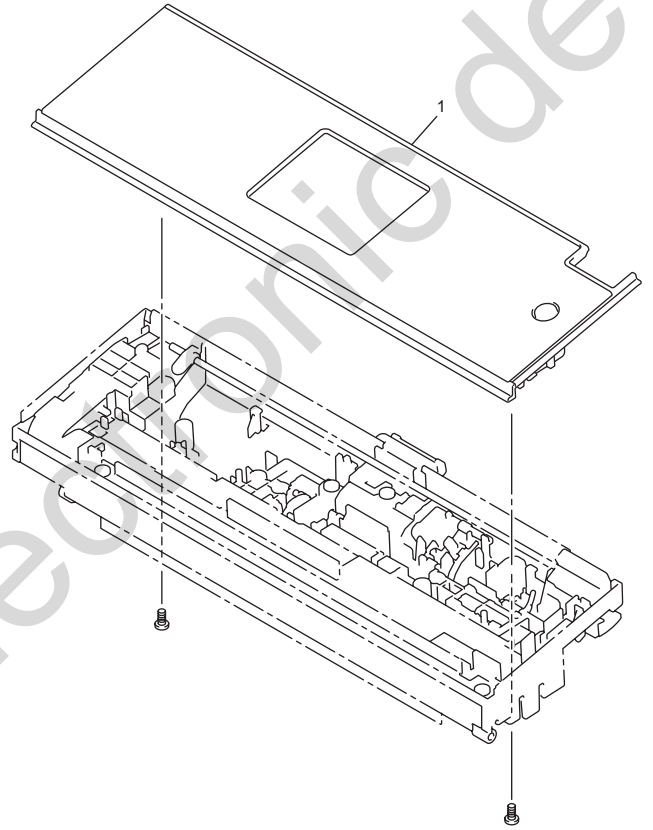
www.MK-Electronic.de

4.PANEL

<ADS-1000W/1100W>



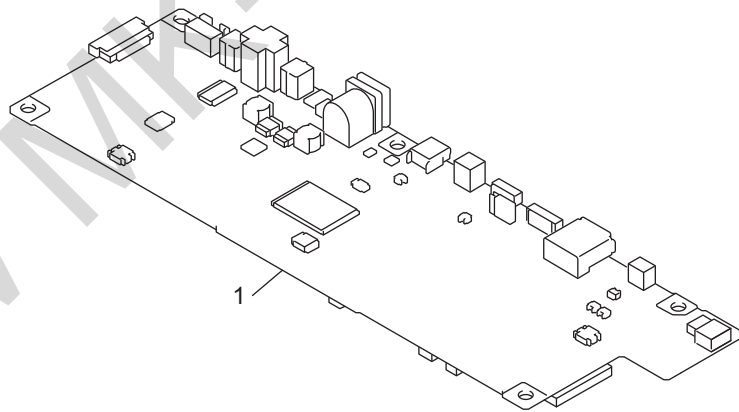
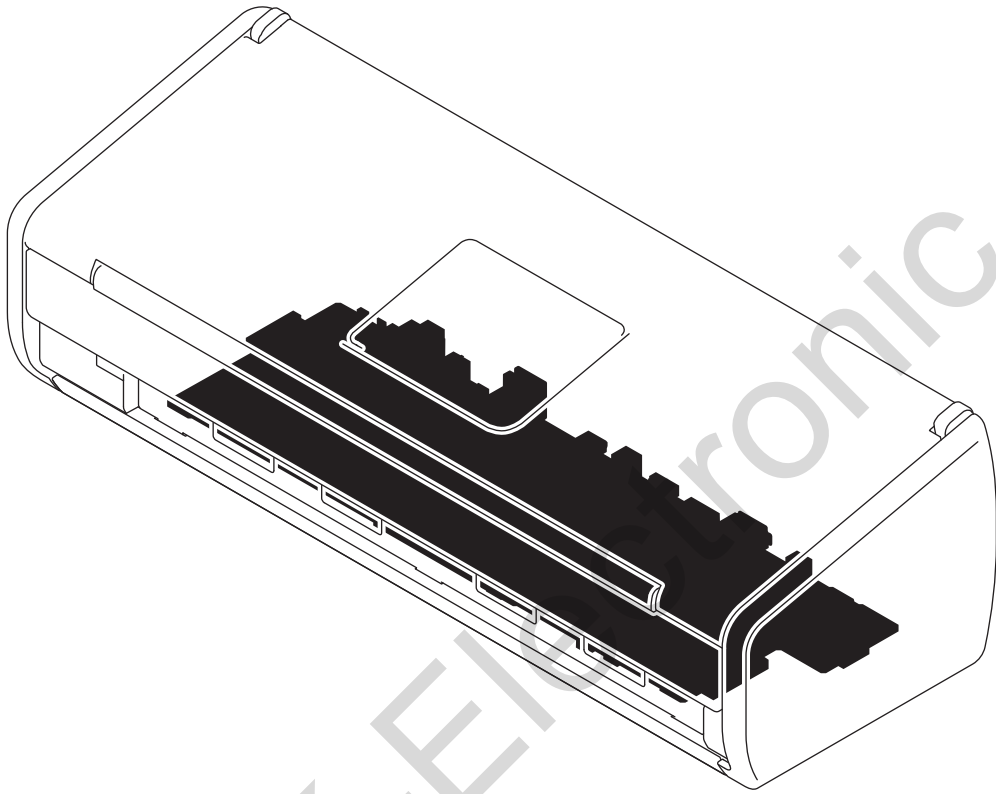
<ADS-1500W/1600W>



4. PANEL

REF NO.	CODE	Q'TY	DESCRIPTION	MODEL	SPEC	REMARKS
1	LD0641001	1	PANEL UNIT	ADS-1000W	FOR US/CAN/ARG/BRZ	
1	LD0643001	1	PANEL UNIT	ADS-1100W	FOR GER/UK/CHN/TWN/ASA/GUL/ KOR/IND/RUS/OCE/PND/CEE	
1	LD0647001	1	PANEL UNIT	ADS-1500W	FOR US/CAN/ARG/BRZ	
1	LD0649001	1	PANEL UNIT	ADS-1600W	FOR GER/UK/CHN/TWN/ASA/GUL/ KOR/IND/RUS/OCE/PND/CEE	

www MK-Electronic.de

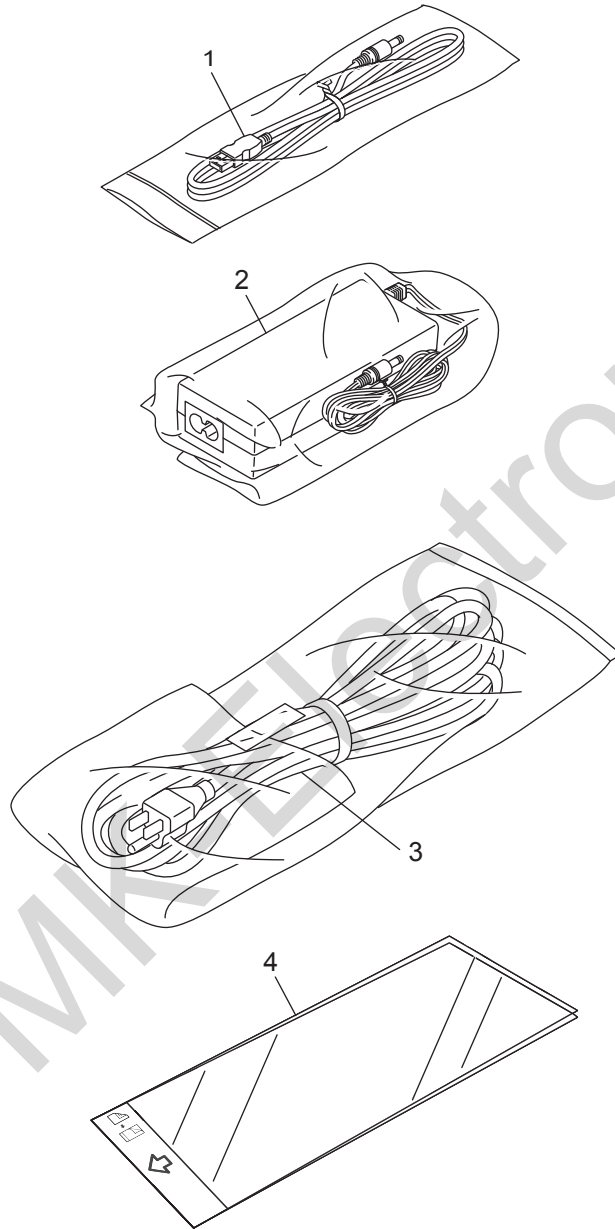


5. PCB

REF NO.	CODE	Q'TY	DESCRIPTION	MODEL	SPEC	REMARKS
1	LD6677001	1	MAIN PCB ASSY	ADS-1000W		
1	LD6677001	1	MAIN PCB ASSY	ADS-1100W		
1	LD6676001	1	MAIN PCB ASSY	ADS-1500W		
1	LD6676001	1	MAIN PCB ASSY	ADS-1600W		

www MK-Electronic de

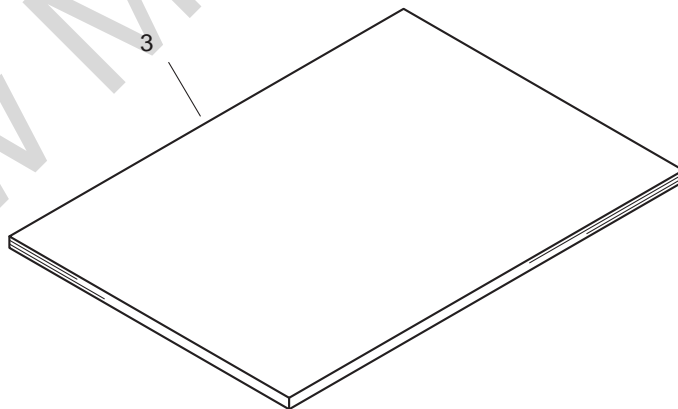
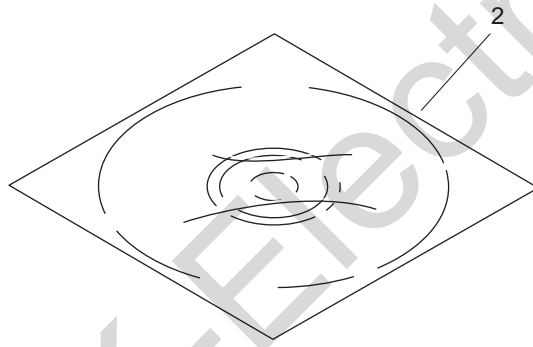
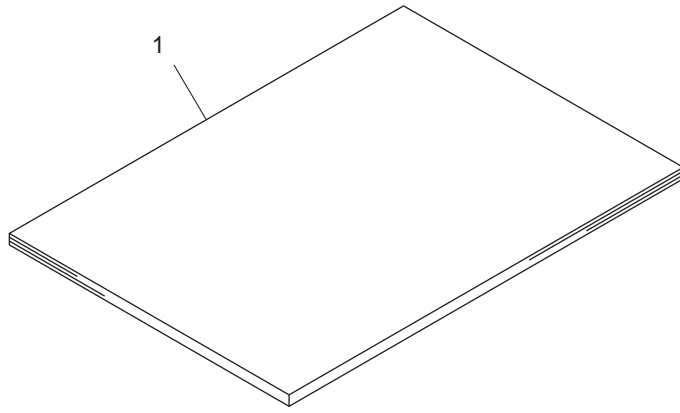
6.ACCESSORIES



6.ACCESSORIES

REF No.	CODE	Q'TY	DESCRIPTION	MODEL	SPEC	REMARKS
1	LD1635001	1	USB CABLE			CHG
2	D00CZC001	1	AC ADAPTER		FOR US/CAN	chg
2	LD0708001	1	AC ADAPTER		FOR GER/UK/CHN/TWN/ARG/ASA/ GUL/BRZ/KOR/IND/RUS/OCE/ PND/CEE	
3	LW2359001	1	POWER SUPPLY CORD CSA LF		FOR US/CAN	
3	LN8125001	1	POWER SUPPLY CORD BS		FOR UK/GUL	
3	LN8126001	1	POWER SUPPLY CORD EU		FOR GER/ASA/RUS/PND/CEE	
3	LW5704001	1	POWER SUPPLY CORD CHN		FOR CHN	
3	XD0225021	1	POWER SUPPLY CORD TWN		FOR TWN	
3	XD0111151	1	POWER SUPPLY CORD IRAM		FOR ARG	
3	LN8129001	1	POWER SUPPLY CORD KOR		FOR KOR	
3	LBC738001	1	POWER SUPPLY CORD INDIA		FOR IND	
3	LB9745001	1	POWER SUPPLY CORD BRA		FOR BRZ	
3	LN8127001	1	POWER SUPPLY CORD AUS		FOR OCE	
4	LD0703001	1	RECEIPT CARRIER SHEET ASSY		FOR US/GER/UK/RUS/PND/CEE	

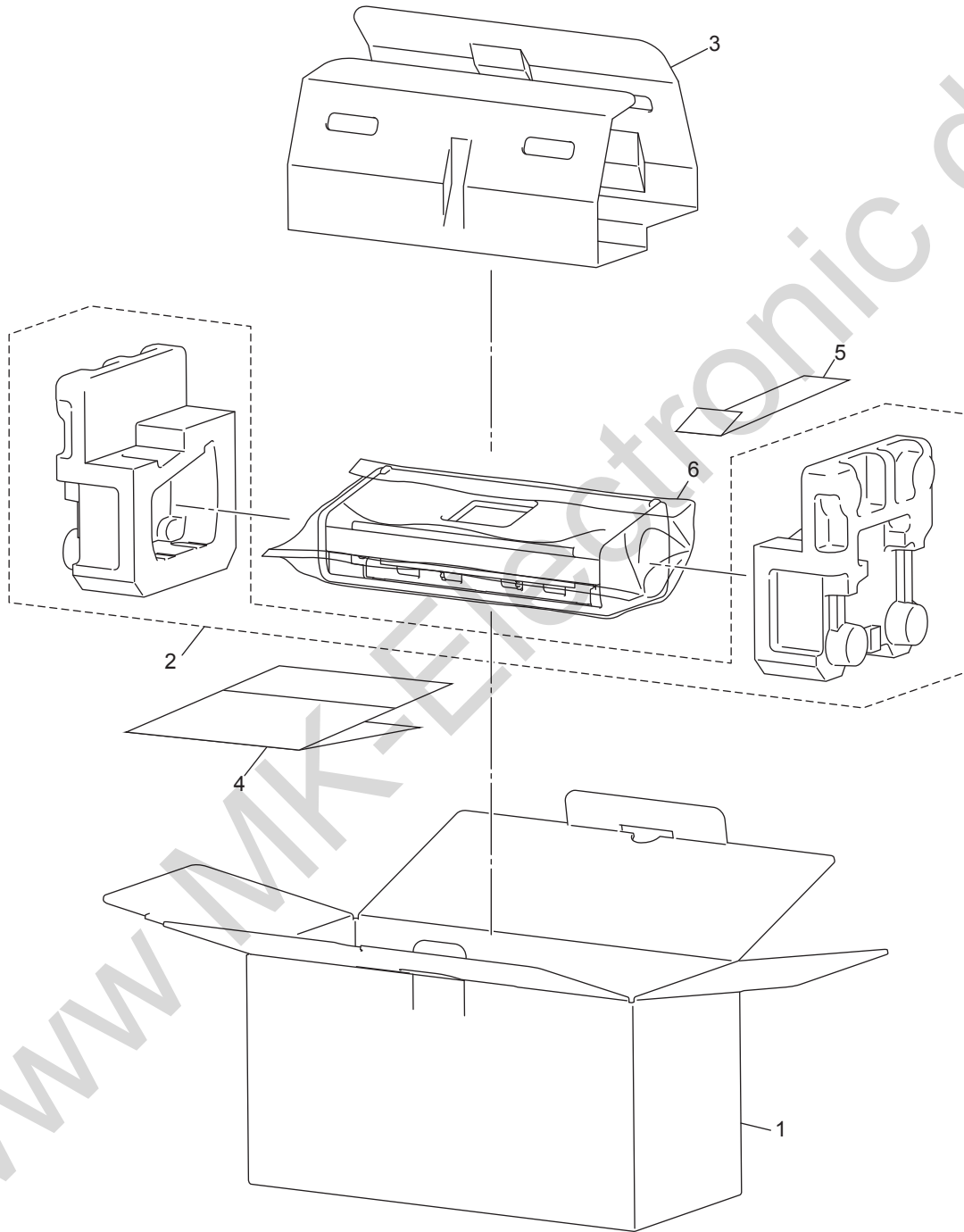
7.PRINTING MATTER



7. PRINTING MATTER

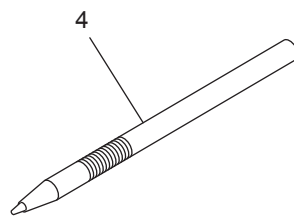
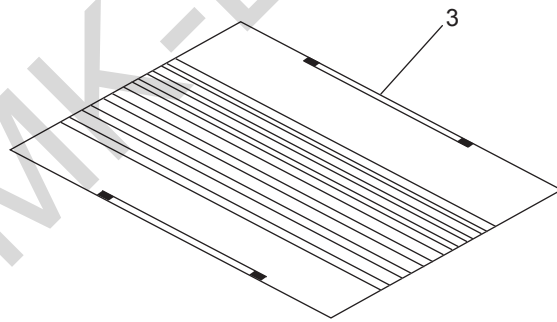
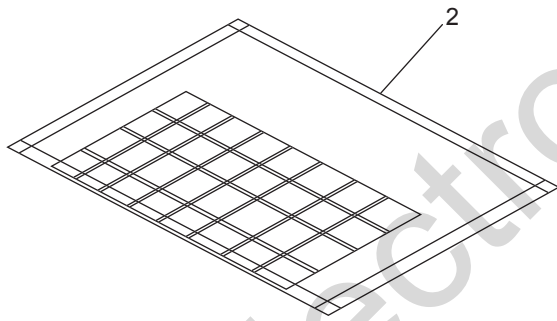
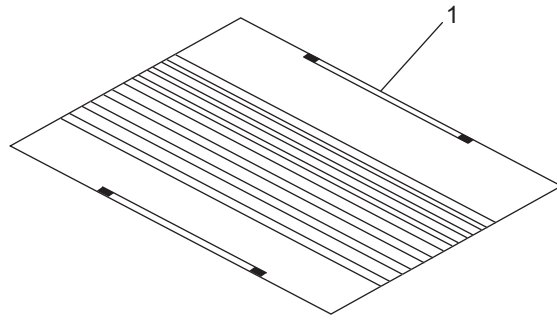
REF NO.	CODE	Q'TY	DESCRIPTION	MODEL	SPEC	REMARKS
1	LD0991001	1	SETUP GUIDE		FOR US/CAN/ARG	chg
1	LD0992001	1	SETUP GUIDE<FRENCH>		FOR CAN	chg
1	LD0681003	1	SETUP GUIDE<GERMAN>		FOR GER	
1	LD0681009	1	SETUP GUIDE<DUTCH>		FOR GER	
1	LD0681004	1	SETUP GUIDE		FOR UK	
1	LD1368001	1	SETUP GUIDE		FOR CHN	chg
1	LD1968001	1	SETUP GUIDE		FOR TWN	
1	LD1057001	1	SETUP GUIDE		FOR BRZ	
1	LD0681040	1	SETUP GUIDE		FOR ASA/GUL/IND/OCE	
1	LD0681044	1	SETUP GUIDE		FOR KOR	
1	LD0681048	1	SETUP GUIDE		FOR RUS	
1	LD0681057	1	SETUP GUIDE		FOR PND	
1	D00GNY001	1	SETUP GUIDE		FOR CEE	CHG
2	LD0510001	1	DVDROM LABEL ASSY	ADS-1000W	FOR US	
2	LD0510001	1	DVDROM LABEL ASSY	ADS-1100W	FOR GER/UK	
2	LD0682001	1	DVDROM LABEL ASSY	ADS-1000W	FOR CAN/ARG/BRZ	
2	LD0682001	1	DVDROM LABEL ASSY	ADS-1100W	FOR ASA/GUL/IND/RUS/ OCE/PND/CEE	
2	LD0516001	1	DVDROM LABEL ASSY	ADS-1100W	FOR CHN/TWN	
2	LD0514001	1	DVDROM LABEL ASSY	ADS-1100W	FOR KOR	
2	LD0690001	1	DVDROM LABEL ASSY	ADS-1500W	FOR US	
2	LD0911001	1	DVDROM LABEL ASSY	ADS-1500W	FOR CAN/ARG/BRZ	
2	LD0690001	1	DVDROM LABEL ASSY	ADS-1600W	FOR GER/UK	
2	LD1020001	1	DVDROM LABEL ASSY	ADS-1600W	FOR CHN/TWN	
2	LD0911001	1	DVDROM LABEL ASSY	ADS-1600W	FOR ASA/GUL/IND/RUS/OCE/ PND/CEE	
2	LD0961001	1	DVDROM LABEL ASSY	ADS-1600W	FOR KOR	
3	LD1017001	1	USER'S GUIDE CHN		FOR CHN	

8.PACKING



8. PACKING

REF No.	CODE	Q'TY	DESCRIPTION	MODEL	SPEC	REMARKS
1	LD1976001	1	CARTON BROTHER	ADS-1000W	FOR US	chg
1	LD0978001	1	CARTON BROTHER	ADS-1000W	FOR CAN	
1	LD1029001	1	CARTON BROTHER	ADS-1000W	FOR BRZ	
1	D00HRE001	1	CARTON BROTHER	ADS-1000W	FOR ARG	CHG
1	LD1021001	1	CARTON BROTHER	ADS-1100W	FOR GER/UK/RUS/PND/CEE	chg
1	LD0716001	1	CARTON BROTHER	ADS-1100W	FOR CHN	
1	LD0714001	1	CARTON BROTHER	ADS-1100W	FOR TWN/ASA/GUL/KOR/IND/OCE	
1	LD1977001	1	CARTON BROTHER	ADS-1500W	FOR US	chg
1	LD0979001	1	CARTON BROTHER	ADS-1500W	FOR CAN	
1	LD1030001	1	CARTON BROTHER	ADS-1500W	FOR BRZ	
1	D00HRF001	1	CARTON BROTHER	ADS-1500W	FOR ARG	CHG
1	LD1022001	1	CARTON BROTHER	ADS-1600W	FOR GER/UK/RUS/PND/CEE	chg
1	LD0717001	1	CARTON BROTHER	ADS-1600W	FOR CHN	
1	LD0715001	1	CARTON BROTHER	ADS-1600W	FOR TWN/ASA/GUL/KOR/IND/OCE	
2	LD1650001	1	POLYSTYRENE PAD ASSY			chg
3	LD0580001	1	ACCESSORY PAD			
4	LD0812001	1	ROLLER PROTECT PAD			
5	LD0906001	1	CARD ROLLER PROTECT PAD			
6	LD1637001	1	BAG 380X265H			chg



9. OTHERS

REF NO.	CODE	Q'TY	DESCRIPTION	MODEL	SPEC	REMARKS
1	UF8263001	1	TEST CHART-027			
2	UF9258001	1	COLOR TEST CHART CTC-001			
3	UF4600001	1	CONTRAST CHART TC-023			
4	XA9940051	1	STYLUS	ADS-1500W		
4	XA9940051	1	STYLUS	ADS-1600W		

www MK-Electronic de